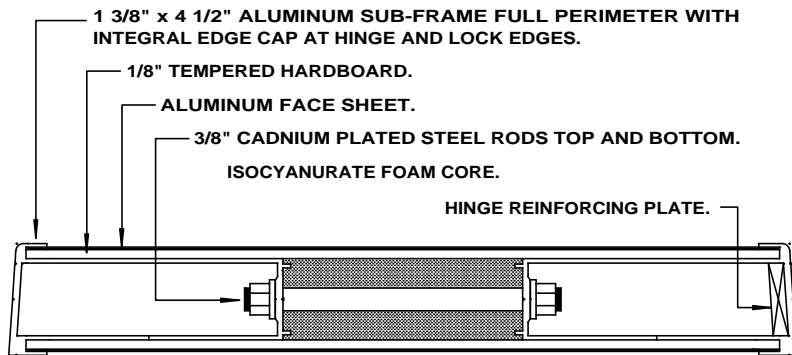
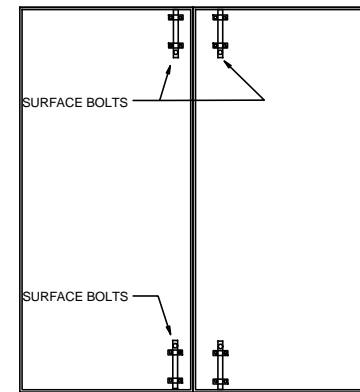
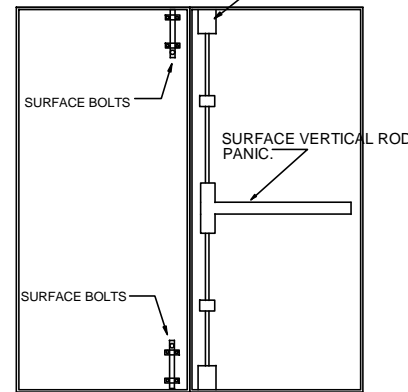


EACH LEAF OF A PAIR OF DOOR SHALL INDEPENDENTLY LOCK ITSELF TO THE FRAME HEADER AND FLOOR IN ORDER TO DISTRIBUTE THE WIND LOAD AND IMPACT.



SERIES 200



ALUTECH CORPORATION
 8548 NW 64th STREET
 MIAMI, FL 33166
 305/593-2080

**PAIR DETAIL AND
 DOOR SECTION**

DATE:	DRAWN BY:
DWG No.:	SHEET No.:

JOB No.: